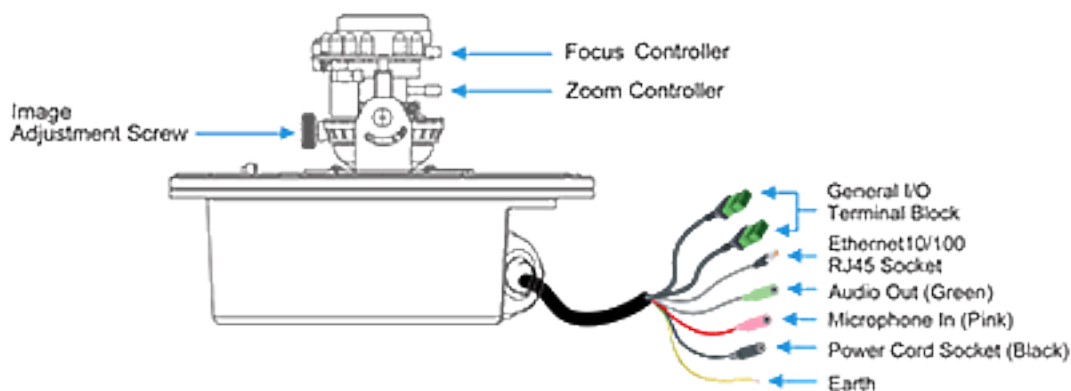
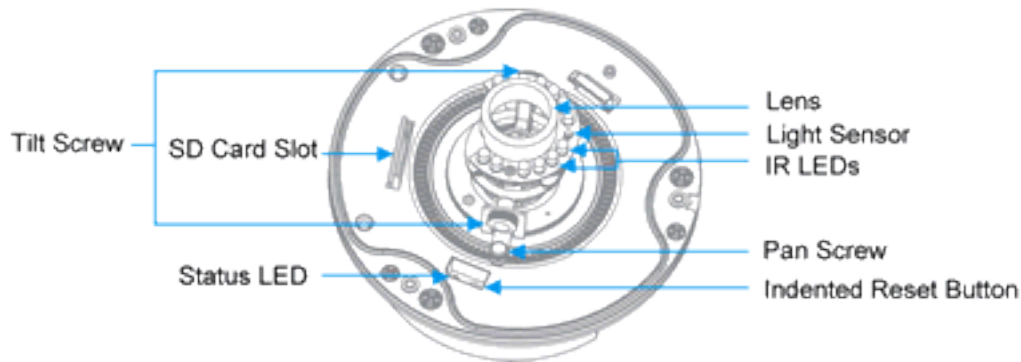




## SKY-FD7141 Network IP Security Camera



- 3.3 ~ 12 mm Vari-focal Lens
- Wide Dynamic Range CMOS Sensor
- Removable IR-cut Filter for Day & Night Function
- Simultaneous Dual Streams
- Real-time MPEG-4 and MJPEG Compression (Dual Codec)
- Built-in IR Illuminators, effective up to 15 Meters
- Built-in Heater and Fan, supported by PoE
- Built-in 802.3af Compliant PoE
- Built-in SD/SDHC Card Slot for On-board Storage
- Two-way Audio via SIP Protocol
- Detects Tampering from Blockage or Spray-painting
- Vandal-proof and Weather-proof IP66 rated Housing
- 3-axis Mechanical Design for Ceiling/Wall Mount Installation



System	CPU: Bach Soc Flash: 8MB RAM: 64MBMB Embedded OS: Linux 2.6
Lens	f = 3.3 ~ 12 mm F 1.4 (wide) F 2.9 (FD7 (tele)) focus range: 50cm ~ ∞ Board lens, vari-focal Removable IR-cut filter for day & night function
Angle of View	23.9° ~ 89.8° (horizontal) 17.9° ~ 63.6° (Vertical)
Shutter Time	1/30 ~ 1/15,000 sec
Image Sensor	1/3.3" Wide Dynamic RangeOutdoor CMOS in 720x480 Resolution
Minimum Illumination	0.5 Lux / F1.4 (FD7141), 0.4 Lux / F1.4 (FD7141V) ( typical ) 0 Lux / F1.4 ( IR LED on )
IR Illuminators	Built-in IR illuminators, Effective up to 15 M
Video	Compression: MJPEG & MPEG-4 Streaming: Simultaneous dual streams MPEG-4 streaming over UDP, TCP, HTTP or HTTPS MPEG-4 multicast streaming MJPEG streaming over HTTP or HTTPS Supports 3GPP mobile surveillance Frame rates: MPEG-4: Up to 30/25 fps at 720x480, Up to 30/25 fps at 360x240 MJPEG: Up to 30/25 fps at 720x480
Image Settings	Adjustable image size, quality, and bit rate Time stamp and text caption overlay Flip & mirror Configurable brightness, contrast, saturation, sharpness, white balance and exposure AGC AWB AEC Automatic, manual or scheduled day/night mode Supports privacy masks
Audio	Compression GSM-AMR speech encoding, bit rate: 4.75 kbps to 12.2 kbps MPEG-4 AAC audio encoding, bit rate: 16 kbps to 128 kbps Interface: External microphone input Audio output External/Internal microphone switch Supports two-way audio via SIP protocol Supports audio mute

Network	10/100 Mbps Ethernet, RJ-45 Protocols: IPv4, TCP/IP, HTTP, UPnP, RTSP/ RTP/RTCP, IGMP, SMTP, FTP, DHCP, NTP, DNS, DDNS and PPPoE
Alarm and Event Management	Triple-window video motion detection One D/I and one D/O for external sensor and alarm Event notification using HTTP, SMTP, or FTP Local recording of MP4 files Tamper Detection
On-board Storage	SD/SDHC card slot Stores snapshots and video clips
Security	Multi-level user access with password protection IP address filtering HTTPS encrypted data transmission
Users	10 clients on-line monitoring at the same time
Dimensions	Ø: 170mm x 133 mm
Weight	Net: 2164 g
Power	12V DC 24V AC Power consumption: Max. 7.5 W Power consumption: Max. 10 W ( with heater ) 802.3af compliant Power-over-Ethernet
LED Indicator	System power and status indicator System activity and network link indicator
Approvals	CE C-Tick FCC LVD VCCI
Operating Environments	Temperature: -20 ~ 60 °C (-4 ~ 140 °F) Humidity: 20 % ~ 95%
Viewing System Requirements	OS: Microsoft Windows 2000/XP/Vista/7 Browser: Mozilla Firefox, Internet Explorer 6.x or above Cell phone: 3GPP player Real Player: 10.5 or above Quick Time: 6.5 or above
Installation, Management, and Maintenance	Installation Wizard 2 32-CH central management software Supports firmware upgrade
Applications	SDK available for application development and system integration