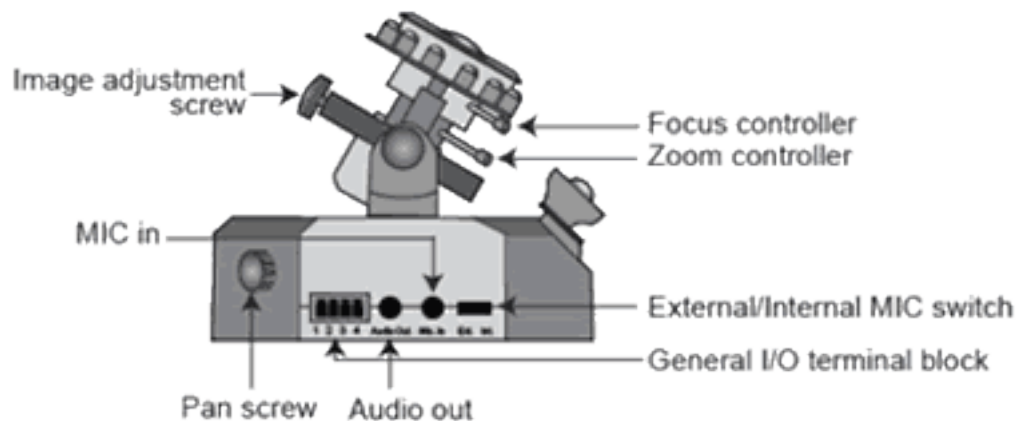
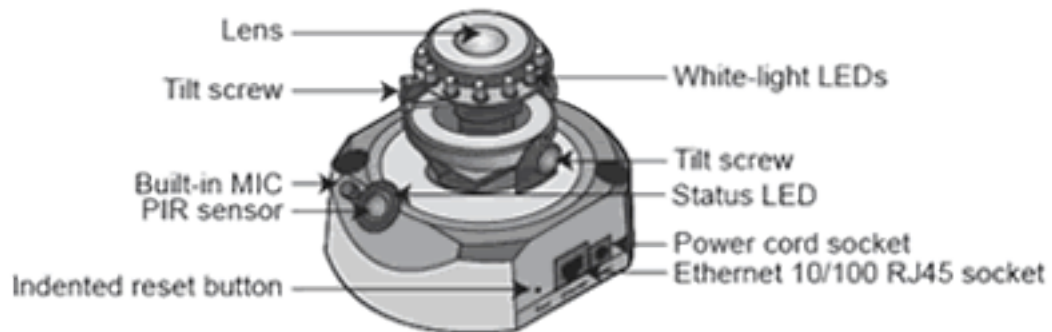




SKY-FD7132 Network IP Security Camera



- 3.3 ~ 12 mm Vari-focal Lens
- Removable IR-cut Filter for Day & Night Function
- Built-in IR Illuminators, effective up to 15 Meters
- Real-time MPEG-4 and MJPEG Compression (Dual Codec)
- Dual Streams Simultaneously
- 3-axis Mechanical Design for Ceiling/Wall Mount Installation
- Built-in PIR Sensor for Human Detection
- 3GPP Mobile Surveillance
- Built-in 802.3af Compliant PoE
- Two-way Audio via SIP Protocol
- Digital I/O for External Sensor and Alarm
- HTTPS Encrypted Data Transmission



System	CPU: VTK-1000 SoC Flash: 8MB RAM: 64MBMB Embedded OS: Linux 2.4
Lens	f = 3.3 ~ 12 mm F 1.4 (wide) F 2.9 (tele) focus range: 50cm ~ ∞ Board lens vari-focal Removable IR-cut filter for day & night function
Angle of View	17.9° ~ 63.6° (horizontal) 13.5° ~ 46.5° (vertical)
Shutter Time	1/5 ~ 1/15,000 sec
Image Sensor	1/4" CMOS in VGA Resolution
Minimum Illumination	0.56 Lux / F1.4 (typical) 0 Lux / F1.4 (IR LED on)
IR Illuminators	Built-in IR illuminators, Effective up to 15 meter
Video	Compression: MJPEG & MPEG-4 Streaming: Simultaneous dual streams MPEG-4 streaming over UDP, TCP, HTTP or HTTPS MPEG-4 multicast streaming MJPEG streaming over HTTP or HTTPS Supports 3GPP mobile surveillance Frame rates: MPEG-4: Up to 30/25 fps at 640x480, MJPEG: Up to 30/25 fps at 640x480
Image Settings	Adjustable image size, quality, and bit rate Time stamp and text caption overlay Flip & mirror Configurable brightness, contrast, saturation, sharpness, white balance and exposure AGC AWB AES Automatic, manual or scheduled day/night mode Supports privacy masks
Audio	Compression GSM-AMR speech encoding, bit rate: 4.75 kbps to 12.2 kbps MPEG-4 AAC audio encoding, bit rate: 16 kbps to 128 kbps Interface: Built-in microphone External microphone input Audio output External/Internal microphone switch Supports two-way audio via SIP protocol General I/O Supports audio mute

Network	10/100 Mbps Ethernet, RJ-45 Protocols: IPv4, TCP/IP, HTTP, UPnP, RTSP/RTP/RTCP, IGMP, SMTP, FTP, DHCP, NTP, DNS, DDNS and PPPoE
Alarm and Event Management	Triple-window video motion detection One D/I and one D/O for external sensor and alarm Event notification using HTTP, SMTP, or FTP Local recording of MP4 files Passive infrared sensor (PIR) for human detection IR illuminators up to 15 meters
Security	Multi-level user access with password protection IP address filtering
Users	10 clients on-line monitoring at the same time
Dimensions	Ø: 143mm x 106 mm
Weight	Net: 619 g
LED Indicator	System power and status indicator System activity and network link indicator
Power	12V DC Power consumption: Max. 11 W 802.3af compliant Power-over-Ethernet
Approvals	CE C-Tick FCC PSE VCCI
Operating Environments	Temperature: 0 ~ 50 °C (32 ~ 122 °F) Humidity: 20% ~ 80%
Viewing System Requirements	OS: Microsoft Windows 2000/XP/Vista Browser: Mozilla Firefox, Internet Explorer 6.x or above Cell phone: 3GPP player Real Player: 10.5 or above Quick Time: 6.5 or above
Installation, Management, and Maintenance	Installation Wizard 2 32-CH central management software Supports firmware upgrade
Applications	SDK available for application development and system integration