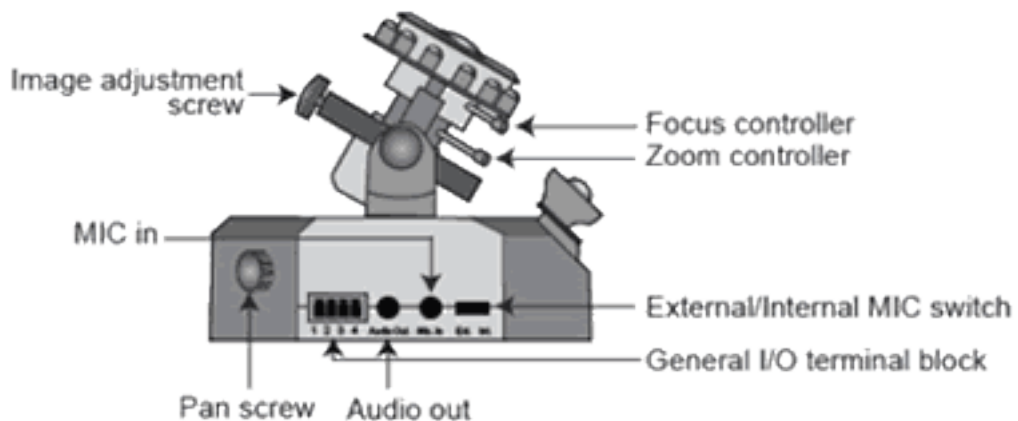
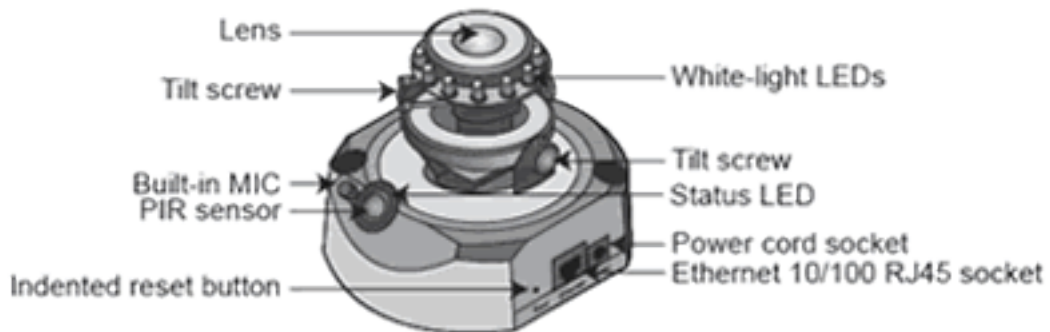




SKY-FD7131 Network IP Security Camera



- Wide Angle Vari-focal Lens
- Real-time MPEG-4 and MJPEG Compression (Dual Codec)
- Dual Streams Simultaneously
- 3-axis Mechanical Design for Ceiling/Wall Mount Installation
- Built-in PIR Sensor for Human Detection
- 3GPP Mobile Surveillance
- Built-in 802.3af Compliant PoE
- Two-way Audio via SIP Protocol
- Digital I/O for External Sensor and Alarm
- HTTPS Encrypted Data Transmission



System	CPU: VTK-1000 SoC Flash: 8MB RAM: 64MBMB Embedded OS: Linux 2.4
Lens	f = 2 ~ 4 mm F 1.4 (wide) F 1.8 (tele) focus range: 50cm ~ ∞ Board lens vari-focal
Angle of View	53.2° ~ 105.1° (horizontal) 39.8° ~ 77.4° (vertical)
Shutter Time	1/5 ~ 1/15,000 sec
Image Sensor	1/4" CMOS in VGA Resolution
Minimum Illumination	1.5 Lux / F1.4 (typical)
Video	Compression: MJPEG & MPEG-4 Streaming: Simultaneous dual streams MPEG-4 streaming over UDP, TCP, HTTP or HTTPS MPEG-4 multicast streaming MJPEG streaming over HTTP or HTTPS Supports 3GPP mobile surveillance Frame rates: MPEG-4: Up to 30/25 fps at 640x480, MJPEG: Up to 30/25 fps at 640x480
Image Settings	Adjustable image size, quality, and bit rate Time stamp and text caption overlay Flip & mirror Configurable brightness, contrast, saturation, sharpness, white balance and exposure AGC AWB AES Supports privacy masks
Audio	Compression GSM-AMR speech encoding, bit rate: 4.75 kbps to 12.2 kbps MPEG-4 AAC audio encoding, bit rate: 16 kbps to 128 kbps Interface: Built-in microphone External microphone input Audio output External/Internal microphone switch Supports two-way audio via SIP protocol General I/O Supports audio mute

Network	10/100 Mbps Ethernet, RJ-45 Protocols: IPv4, TCP/IP, HTTP, UPnP, RTSP/RTP/RTCP, IGMP, SMTP, FTP, DHCP, NTP, DNS, DDNS and PPPoE
Alarm and Event Management	Triple-window video motion detection One D/I and one D/O for external sensor and alarm Event notification using HTTP, SMTP, or FTP Passive infrared sensor (PIR) for human detection White-light illuminators for low light condition when event triggered
Security	Multi-level user access with password protection IP address filtering HTTPS encrypted data transmission
Users	10 clients on-line monitoring at the same time
Dimensions	Ø: 143mm x 106 mm
Weight	Net: 575.5 g
LED Indicator	System power and status indicator System activity and network link indicator
Power	12V DC Power consumption: Max. 3.6 W 802.3af compliant Power-over-Ethernet
Approvals	CE C-Tick FCC PSE VCCI
Operating Environments	Temperature: 0 ~ 50 °C (32 ~ 122 °F) Humidity: 20% ~ 80%
Viewing System Requirements	OS: Microsoft Windows 2000/XP/Vista Browser: Mozilla Firefox, Internet Explorer 6.x or above Cell phone: 3GPP player Real Player: 10.5 or above Quick Time: 6.5 or above
Installation, Management, and Maintenance	Installation Wizard 2 32-CH central management software Supports firmware upgrade
Applications	SDK available for application development and system integration